

## Features

- 6 configurable IOs supporting
  - CapSense buttons
  - LED drive
  - Interrupt outputs
  - WAKE on interrupt input
  - Bi-directional sleep control pin
  - User defined input or output
- 2.4V to 3.6V and 4.75V to 5.25V operating voltage
- Industrial temperature range: -40°C to +85°C
- I<sup>2</sup>C slave interface for configuration
  - I2C data transfer rate up to 400 kbps
- Reduce BOM cost
  - Internal oscillator - no external oscillators or crystal
  - Free development tool - no external tuning components
- Low operating current
  - Active current: 1.5 mA
  - Deep Sleep current: 2.6 uA
- Available in 16-pin COL and 16-pin SOIC packages

## Overview

The CapSense Express™ controller allows the control of 6 IOs configurable as capacitive sensing buttons or as GPIOs for driving LEDs or interrupt signals based on various button conditions. The GPIOs are also configurable for waking up the device from sleep based on an interrupt input.

The user has the ability to configure buttons, outputs, and parameters, through specific commands sent to the I<sup>2</sup>C port. The IOs have the flexibility in mapping to capacitive buttons and as standard GPIO functions such as interrupt output or input, LED drive and digital mapping of input to output using simple logical operations. This enables easy PCB trace routing and reduces the PCB size and stack up. CapSense Express products are designed for easy integration into complex products.

## Architecture

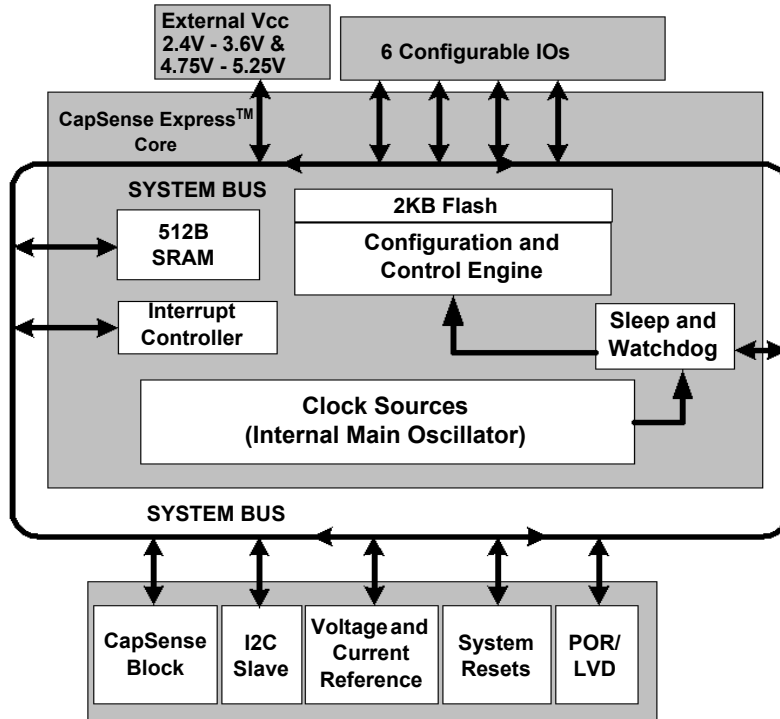
The logic block diagram shows the internal architecture of CY8C20160.

The user can configure registers with parameters needed to adjust the operation and sensitivity of the CapSense system. CY8C20160 supports a standard I<sup>2</sup>C serial communication interface that allows the host to configure the device and to read sensor information in real time through easy register access.

## The CapSense Express Core

The CapSense Express Core has a powerful configuration and control block. It encompasses SRAM for data storage, an interrupt controller, sleep, and watchdog timers. System resources provide additional capability, such as a configurable I<sup>2</sup>C slave communication interface and various system resets. The Analog System is composed of the CapSense PSoC block which supports capacitive sensing of up to six inputs.

Logic Block Diagram



Pinouts

Figure 1. Pin Diagram - 16 Pin COL

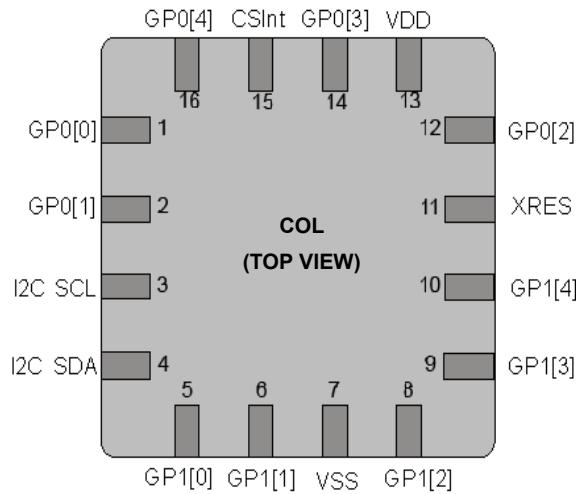


Table 1. Pin Definitions - 16 Pin COL<sup>[1]</sup>

Pin Number	Name	Description
1	GP0[0]	Configurable as CapSense or GPIO
2	GP0[1]	Configurable as CapSense or GPIO
3	I <sup>2</sup> C SCL	I <sup>2</sup> C clock
4	I <sup>2</sup> C SDA	I <sup>2</sup> C data
5	GP1[0]	Configurable as CapSense or GPIO
6	GP1[1]	Configurable as CapSense or GPIO
7	VSS	Ground connection
8	GP1[2]	Configurable as CapSense or GPIO
9	GP1[3]	Configurable as CapSense or GPIO
10	GP1[4]	Configurable as CapSense or GPIO
11	XRES	Active HIGH external reset with internal pull down
12	GP0[2]	Configurable as CapSense or GPIO
13	VDD	Supply voltage
14	GP0[3]	Configurable as CapSense or GPIO
15	CSInt	Integrating capacitor input. The external capacitance is required only if 5:1 SNR cannot be achieved. Typical range is 10-100 nF.
16	GP0[4]	Configurable as CapSense or GPIO

Note

1. 6 Available Configurable IOs can be configured to any of the 10 IOs of the package. After any of the 6 IOs are chosen, the remaining 4 IOs of the package get locked and is not available for any functionality.

Figure 2. Pin Diagram - 16 Pin SOIC

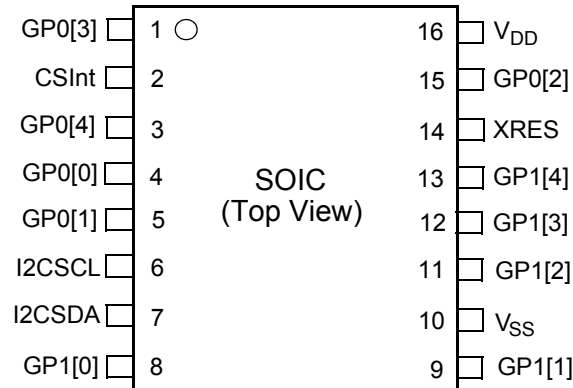


Table 2. Pin Definitions - 16 Pin SOIC<sup>[1]</sup>

Pin Number	Name	Description
1	GP0[3]	Configurable as CapSense or GPIO
2	CSInt	Integrating Capacitor Input. The external capacitance is required only if 5:1 SNR cannot be achieved. Typical range is 10-100 nF.
3	GP0[4]	Configurable as CapSense or GPIO
4	GP0[0]	Configurable as CapSense or GPIO
5	GP0[1]	Configurable as CapSense or GPIO
6	I <sup>2</sup> C SCL	I <sup>2</sup> C clock
7	I <sup>2</sup> C SDA	I <sup>2</sup> C data
8	GP1[0]	Configurable as CapSense or GPIO
9	GP1[1]	Configurable as CapSense or GPIO
10	VSS	Ground connection
11	GP1[2]	Configurable as CapSense or GPIO
12	GP1[3]	Configurable as CapSense or GPIO
13	GP1[4]	Configurable as CapSense or GPIO
14	XRES	Active HIGH external reset with internal pull down.
15	GP0[2]	Configurable as CapSense or GPIO
16	VDD	Supply voltage

## The CapSense Analog System

The CapSense analog system contains the capacitive sensing hardware which supports CapSense Successive Approximation (CSA) algorithm. This hardware performs capacitive sensing and scanning without external components. Capacitive sensing is configurable on each pin.

## Additional System Resources

System Resources provide additional capability useful to complete systems. Additional resources are low voltage detection and Power On Reset (POR).

- The I<sup>2</sup>C slave provides 50, 100, or 400 kHz communication over two wires.
- Low Voltage Detection (LVD) interrupts can signal the application of falling voltage levels and the advanced POR (Power On Reset) circuit eliminates the need for a system supervisor.

An internal 1.8V reference provides a stable internal reference so that capacitive sensing functionality is not affected by minor V<sub>DD</sub> changes.

## I<sup>2</sup>C Interface

The two modes of operation for the I<sup>2</sup>C interface are:

- Device register configuration and status read or write for controller
- Command execution

The I<sup>2</sup>C address is programmable during configuration. It can be locked to prevent accidental change by setting a flag in a configuration register.

## CapSense Express Software Tool

An easy to use software tool integrated with PSoC Express is available for configuring and tuning CapSense Express devices. Refer to the Application Note "[CapSense\(TM\) Express Software Tool - AN42137](#)" for details of the software tool.

## CapSense Express Register Map

CapSense Express supports user configurable registers through which the device functionality and parameters are configured. For details, refer to "[CY8C201xx Register Reference Guide](#)" document.

## Modes of Operation

CapSense Express devices are configured to operate in any of the following three modes to meet different power consumption requirements:

- Active Mode
- Sleep Mode
- Deep Sleep Mode

## Active Mode

In the active mode, all the device blocks including the CapSense sub system are powered. Typical active current consumption of the device across the operating voltage range is 1.5 mA.

## Sleep Mode

Sleep mode provides an intermediate power operation mode. It is enabled by configuring the corresponding device register. When enabled, the device enters sleep mode and wakes up after a specified sleep interval. It scans the capacitive sensors before going back to sleep again. The device can also wake up from sleep mode with a GPIO interrupt. The following sleep intervals are supported in CapSense Express. The sleep interval is configured through registers.

- 1.95 ms (512 Hz)
- 15.6 ms (64 Hz)
- 125 ms (8 Hz)
- 1S (1Hz)

## Deep Sleep Mode

Deep sleep mode provides the lowest power consumption because there is no operation running. In this mode, the device is woken up only using an external GPIO interrupt. A sleep timer interrupt cannot wake up a device from deep sleep mode. This can be treated as a continuous sleep mode without periodic wakeups. Refer to the Application Note "[CapSense Express Power and Sleep Considerations - AN44209](#)" for details on different sleep modes.

## Bi-Directional Sleep Control Pin

The CY8C20160 requires a dedicated sleep control pin to allow reliable I2C communication in case any sleep mode is enabled. This is achieved by pulling the sleep control pin LOW to wake up the device and start I2C communication. The sleep control pin can be configured on any of the GPIO. If sleep control feature is enabled, the device has one less GPIO available for CapSense/GPIO functions. The sleep control pin can also be configured as interrupt output pin from CY8C20160 to the host to acknowledge finger press on any button. To enable bi-directional feature, user has to use I2C-USB bridge program.

## Electrical Specifications

### Absolute Maximum Ratings

Parameter	Description	Min	Typ	Max	Unit	Notes
T <sub>STG</sub>	Storage temperature	-55	25	+100	°C	Higher storage temperatures reduce data retention time. Recommended storage temperature is +25°C ± 25°C (0°C to 50°C). Extended duration storage temperatures above 65°C degrade reliability.
T <sub>A</sub>	Ambient temperature with power applied	-40	-	+85	°C	
V <sub>DD</sub>	Supply voltage on V <sub>DD</sub> relative to V <sub>SS</sub>	-0.5	-	+6.0	V	
V <sub>IO</sub>	DC input voltage	V <sub>SS</sub> - 0.5	-	V <sub>DD</sub> + 0.5	V	
V <sub>IOZ</sub>	DC voltage applied to tri-state	V <sub>SS</sub> - 0.5	-	V <sub>DD</sub> + 0.5	V	
I <sub>MIO</sub>	Maximum current into any GPIO pin	-25	-	+50	mA	
ESD	Electro static discharge voltage	2000	-	-	V	Human body model ESD
LU	Latch up current	-	-	200	mA	

### Operating Temperature

Parameter	Description	Min	Typ	Max	Unit	Notes
T <sub>A</sub>	Ambient temperature	-40	-	+85	°C	
T <sub>J</sub>	Junction temperature	°40	-	+100	°C	

## DC Electrical Characteristics

### DC Chip Level Specifications

Parameter	Description	Min	Typ	Max	Unit	Notes
V <sub>DD</sub>	Supply voltage	2.40	–	5.25	V	
I <sub>DD</sub>	Supply current	–	1.5	2.5	mA	Conditions are V <sub>DD</sub> = 3.0V, T <sub>A</sub> = 25°C
I <sub>SB</sub>	Deep Sleep mode current with POR and LVD active. Mid temperature range	–	2.6	4	μA	V <sub>DD</sub> = 2.55V, 0°C ≤ T <sub>A</sub> ≤ 40°C
I <sub>SB</sub>	Deep Sleep mode current with POR and LVD active.	–	2.8	5	μA	V <sub>DD</sub> = 3.3V, –40°C ≤ T <sub>A</sub> ≤ 85°C
I <sub>SB</sub>	Deep Sleep mode current with POR and LVD active.	–	5.2	6.4	μA	V <sub>DD</sub> = 5.25V, –40°C ≤ T <sub>A</sub> ≤ 85°C

### 5V and 3.3V DC General Purpose IO Specifications

This table lists guaranteed maximum and minimum specifications for the voltage and temperature ranges: 4.75V to 5.25V and –40°C < T<sub>A</sub> < 85°C, 3.0V to 3.6V and –40°C < T<sub>A</sub> < 85°C respectively. Typical parameters apply to 5V and 3.3V at 25°C. These are for design guidance only.

Parameter	Description	Min	Typ	Max	Unit	Notes
R <sub>PU</sub>	Pull up resistor	4	5.6	8	kΩ	
V <sub>OH1</sub>	High output voltage Port 0 pins	V <sub>DD</sub> – 0.2	–	–	V	I <sub>OH</sub> ≤ 10 μA, V <sub>DD</sub> ≥ 3.0V, maximum of 20 mA source current in all IOs.
V <sub>OH2</sub>	High output voltage Port 0 pins	V <sub>DD</sub> – 0.9	–	–	V	I <sub>OH</sub> = 1 mA, V <sub>DD</sub> ≥ 3.0V, maximum of 20 mA source current in all IOs.
V <sub>OH3</sub>	High output voltage Port 1 pins	V <sub>DD</sub> – 0.2	–	–	V	I <sub>OH</sub> < 10 μA, V <sub>DD</sub> ≥ 3.0V, maximum of 10 mA source current in all IOs.
V <sub>OH4</sub>	High output voltage Port 1 pins	V <sub>DD</sub> – 0.9	–	–	V	I <sub>OH</sub> = 5 mA, V <sub>DD</sub> ≥ 3.0V, maximum of 20 mA source current in all IOs.
V <sub>OH5</sub>	High output voltage Port 1 pins with 3.0V LDO regulator	2.75	3.0	3.2	V	I <sub>OH</sub> < 10 μA, V <sub>DD</sub> ≥ 3.1V, maximum of 4 IOs all sourcing 5mA.
V <sub>OH6</sub>	High Output Voltage. Port 1 pins with 3.0V LDO regulator	2.2	–	–	V	I <sub>OH</sub> = 5 mA, V <sub>DD</sub> ≥ 3.1V, maximum of 20 mA source current in all IOs.
V <sub>OH7</sub>	High Output Voltage Port 1 pins with 2.4V LDO regulator	2.1	2.4	2.5	V	I <sub>OH</sub> < 10 μA, V <sub>DD</sub> ≥ 3.0V, maximum of 20 mA source current in all IOs.
V <sub>OH8</sub>	High Output Voltage Port 1 pins with 2.4V LDO regulator	2	–	–	V	I <sub>OH</sub> < 200 μA, V <sub>DD</sub> ≥ 3.0V, maximum of 20 mA source current in all IOs.
V <sub>OH9</sub>	High Output Voltage Port 1 pins with 1.8V LDO regulator enabled	1.6	1.8	1.95	V	I <sub>OH</sub> < 10 μA, 3.0V ≤ V <sub>DD</sub> ≤ 3.6V, 0°C ≤ T <sub>A</sub> ≤ 85°C, maximum of 20 mA source current in all IOs.
V <sub>OH10</sub>	High Output Voltage Port 1 pins with 1.8V LDO regulator enabled	1.5	–	–	V	I <sub>OH</sub> < 100 μA, 3.0V ≤ V <sub>DD</sub> ≤ 3.6V, 0°C ≤ T <sub>A</sub> ≤ 85°C, maximum of 20 mA source current in all IOs.
V <sub>OL</sub>	Low output voltage	–	–	0.75	V	I <sub>OL</sub> = 20 mA, V <sub>DD</sub> > 3V, maximum of 60 mA sink current on even port pins and 60 mA sink current on odd port pins
V <sub>IL</sub>	Input low voltage	–	–	0.75	V	V <sub>DD</sub> = 3 to 3.6V.
I <sub>L</sub>	Input leakage	–	1	–	nA	Gross tested to 1 μA.

**5V and 3.3V DC General Purpose IO Specifications (continued)**

This table lists guaranteed maximum and minimum specifications for the voltage and temperature ranges: 4.75V to 5.25V and  $-40^{\circ}\text{C} < \text{TA} < 85^{\circ}\text{C}$ , 3.0V to 3.6V and  $-40^{\circ}\text{C} < \text{TA} < 85^{\circ}\text{C}$  respectively. Typical parameters apply to 5V and 3.3V at  $25^{\circ}\text{C}$ . These are for design guidance only.

Parameter	Description	Min	Typ	Max	Unit	Notes
$C_{IN}$	Capacitive load on pins as input	0.5	1.7	5	pF	Package and pin dependent. Temp = $25^{\circ}\text{C}$
$C_{OUT}$	Capacitive load on pins as output	0.5	1.7	5	pF	Package and pin dependent. Temp = $25^{\circ}\text{C}$

**2.7V DC General Purpose IO Specifications**

This table lists guaranteed maximum and minimum specifications for the voltage and temperature ranges: 2.4V to 3.0V and  $-40^{\circ}\text{C} < \text{TA} < 85^{\circ}\text{C}$ , respectively. Typical parameters apply to 2.7V at  $25^{\circ}\text{C}$ . These are for design guidance only.

Parameter	Description	Min	Typ	Max	Unit	Notes
$R_{PU}$	Pull up resistor	4	5.6	8	$k\Omega$	
$V_{OH1}$	High output voltage Port 0 pins	$V_{DD} - 0.2$	–	–	V	$I_{OH} \leq 10 \mu\text{A}$ , maximum of 10 mA source current in all IOs.
$V_{OH2}$	High output voltage Port 0 pins	$V_{DD} - 0.5$	–	–	V	$I_{OH} = 0.2 \text{ mA}$ , maximum of 10 mA source current in all IOs.
$V_{OH3}$	High output voltage Port 1 pins	$V_{DD} - 0.2$	–	–	V	$I_{OH} < 10 \mu\text{A}$ , maximum of 10 mA source current in all IOs.
$V_{OH4}$	High output voltage Port 1 pins	$V_{DD} - 0.5$	–	–	V	$I_{OH} = 2 \text{ mA}$ , maximum of 10 mA source current in all IOs.
$V_{OL}$	Low output voltage	–	–	0.75	V	$I_{OL} = 10 \text{ mA}$ , maximum of 30 mA sink current on even port pins and 30 mA sink current on odd port pins
$V_{OLP1}$	Low output voltage port 1 pins	–	–	0.4	V	$I_{OL} = 5 \text{ mA}$ Maximum of 50mA sink current on even port pins and 50mA sink current on odd port pins ( $2.4 \leq V_{DD} \leq 3.6\text{V}$ )
$V_{IL}$	Input low voltage	–	–	0.75	V	$V_{DD} = 2.4$ to $3.6\text{V}$ .
$V_{IH1}$	Input high voltage	1.4	–	–	V	$V_{DD} = 2.4$ to $2.7\text{V}$ .
$V_{IH2}$	Input high voltage	1.6	–	–	V	$V_{DD} = 2.7$ to $3.6\text{V}$
$V_H$	Input hysteresis voltage	–	60	–	mV	
$I_{IL}$	Input leakage	–	1	–	nA	Gross tested to $1 \mu\text{A}$ .
$C_{IN}$	Capacitive load on pins as input	0.5	1.7	5	pF	Package and pin dependent. Temp = $25^{\circ}\text{C}$ .
$C_{OUT}$	Capacitive load on pins as output	0.5	1.7	5	pF	Package and pin dependent. Temp = $25^{\circ}\text{C}$ .



**2.7V DC Spec for I2C Line with 1.8V External Pull-Up**

This table lists guaranteed maximum and minimum specifications for the voltage and temperature ranges: 2.4V to 3.0V and  $-40^{\circ}\text{C} \leq \text{TA} \leq 85^{\circ}\text{C}$ , respectively. Typical parameters apply to 2.7V at 25°C. The I2C lines drive mode must be set to open drain and pulled up to 1.8V externally.

Parameter	Description	Min	Typ	Max	Unit	Notes
V <sub>OLP1</sub>	Low Output Voltage Port 1 Pins	–	–	0.4	V	IOL=5mA Maximum of 50mA sink current on even port pins and 50mA sink current on odd port pins 2.4 ≤ V <sub>DD</sub> ≤ 3.6V
V <sub>IL</sub>	Input low voltage	–	–	0.75	V	V <sub>DD</sub> = 2.4 to 3.6V.
V <sub>IH</sub>	Input high voltage	1.4	–	–	V	V <sub>DD</sub> = 2.4 to 2.7V.
C <sub>IN</sub>	Capacitive load on pins as input	0.5	1.7	5	pF	Package and pin dependent. Temp = 25°C.
C <sub>OUT</sub>	Capacitive load on pins as output	0.5	1.7	5	pF	Package and pin dependent. Temp = 25°C.

**DC POR and LVD Specifications**

Parameter	Description	Min	Typ	Max	Unit	Notes
V <sub>PPOR0</sub>	V <sub>DD</sub> Value PPOR Trip V <sub>DD</sub> = 2.7V	–	2.36	2.40	V	Vdd must be greater than or equal to 2.5V during startup, reset from the XRES pin, or reset from Watchdog.
V <sub>PPOR1</sub>	V <sub>DD</sub> = 3.3V, 5V	–	2.60	2.65	V	
VLVD0	V <sub>DD</sub> Value for LVD trip V <sub>DD</sub> = 2.7V	2.39	2.45	2.51	V	
VLVD2	V <sub>DD</sub> = 3.3V	2.75	2.92	2.99	V	
VLVD6	V <sub>DD</sub> = 5V	3.98	4.05	4.12	V	

## DC Programming Specifications

This table lists guaranteed maximum and minimum specifications for the voltage and temperature ranges: 4.75V to 5.25V and  $-40^{\circ}\text{C} \leq \text{TA} \leq 85^{\circ}\text{C}$ , 3.0V to 3.6V and  $-40^{\circ}\text{C} \leq \text{TA} \leq 85^{\circ}\text{C}$ , or 2.4V to 3.0V and  $-40^{\circ}\text{C} \leq \text{TA} \leq 85^{\circ}\text{C}$ , respectively. Typical parameters apply to 5V, 3.3V, or 2.7V at 25°C. These are for design guidance only. Flash Endurance and Retention specifications with the use of EEPROM user module are valid only within the range:  $25^{\circ}\text{C} \pm 20^{\circ}\text{C}$  during the Flash Write operation.

Refer to the EEPROM user module data sheet instructions for EEPROM Flash Write requirements outside the  $25^{\circ}\text{C} \pm 20^{\circ}\text{C}$  temperature window. Use of this User Module for Flash Writes outside this range must occur at a known die temperature ( $\pm 20^{\circ}\text{C}$ ) and requires the designer to configure the temperature as a variable rather than the default 25°C value hard coded into the API. All use of this UM API outside the range of  $25^{\circ}\text{C} \pm 20^{\circ}\text{C}$  is at the user's own risk. This risk includes overwriting the Flash cell (when above the allowable temperature range) thereby reducing the data sheet specified endurance performance or underwriting the Flash cell (when below the allowable temperature range) thereby reducing the data sheet specified retention.

Symbol	Description	Min	Typ	Max	Units	Notes
V <sub>DDWRITE</sub>	Supply Voltage for Flash Write Operations <sup>[2]</sup>	2.7	–	–	V	
I <sub>DDP</sub>	Supply Current During Programming or Verify	–	5	25	mA	
V <sub>ILP</sub>	Input Low Voltage During Programming or Verify	–	–	0.8	V	
V <sub>IHP</sub>	Input High Voltage During Programming or Verify	2.2	–	–	V	
I <sub>ILP</sub>	Input Current when Applying V <sub>ilp</sub> to P1[0] or P1[1] During Programming or Verify	–	–	0.2	mA	Driving internal pull down resistor.
I <sub>IHP</sub>	Input Current when Applying V <sub>ihp</sub> to P1[0] or P1[1] During Programming or Verify	–	–	1.5	mA	Driving internal pull down resistor.
V <sub>OLV</sub>	Output Low Voltage During Programming or Verify	–	–	V <sub>SS</sub> + 0.75	V	
V <sub>OHV</sub>	Output High Voltage During Programming or Verify	V <sub>DD</sub> – 1.0	–	V <sub>DD</sub>	V	
Flash <sub>ENPB</sub>	Flash Endurance (per block)	50,000	–	–	–	Erase/write cycles per block.
Flash <sub>ENT</sub>	Flash Endurance (total)	1,800,000	–	–	–	Erase/write cycles.
Flash <sub>DR</sub>	Flash Data Retention	10	–	–	Years	

## Capsense Electrical Characteristics

Max (V)	Typical (V)	Min (V)	Low Voltage Cutoff (V)	Notes
5.25	5.0	4.75	4.73	See notes [6] and [7]
3.6	3.3	3.02	–	See note [3]
3.02	2.7	2.45	2.45	See notes [4] and [5]

### Notes

- Commands involving Flash Writes (0x01, 0x02, 0x03) must be executed only within the same VCC voltage range detected at POR (power on, XRES, or command 0x06) and above 2.7V. For register details, refer to CY8C201xx Register Reference Guide. If the user powers up the device in the 2.4V–3.6V range, Flash writes must be performed only between 2.7V and 3.6V. If the user powers up the device in the 4.75V–5.25V range, Flash writes must be performed in that range only.
- If the device is in 3.3V mode of operation and the operating voltage drops below 3.02V, the device automatically reconfigure's itself to work in 2.7V mode of operation.
- If the device is in 2.7V mode of operation and the operating voltage drops below 2.45V, the scanning for Capsense parameters shuts down until the voltage returns to over 2.45V. If the voltage continues to drop and goes below 2.4V, device goes into reset.
- If the device is in 2.7V mode of operation and the operating voltage rises above 3.02V, the device automatically reconfigure's itself to work in 3.3V mode of operation.
- If the device is in 5.0V mode of operation and the operating voltage drops below 4.73V, the scanning for Capsense parameters shuts down until the voltage returns to over 4.73V.
- Powering up in the 3.6V to 4.75V range is not supported by Capsense Express. The device initializes to the 5.0V parameters but does not enable Capsense scanning until the voltage goes above 4.73V.

## AC Electrical Characteristics

### 5V and 3.3V AC General Purpose IO Specifications

Parameter	Description	Min	Max	Unit	Notes
TRise0	Rise time, strong mode, Cload = 50 pF, Port 0	15	80	ns	$V_{DD} = 3.0V$ to 3.6V and 4.75V to 5.25V, 10% - 90%
TRise1	Rise time, strong mode, Cload = 50 pF, Port 1	10	50	ns	$V_{DD} = 3.0V$ to 3.6V, 10% - 90%
TFall	Fall time, strong mode, Cload = 50 pF, all ports	10	50	ns	$V_{DD} = 3.0V$ to 3.6V and 4.75V to 5.25V, 10% - 90%

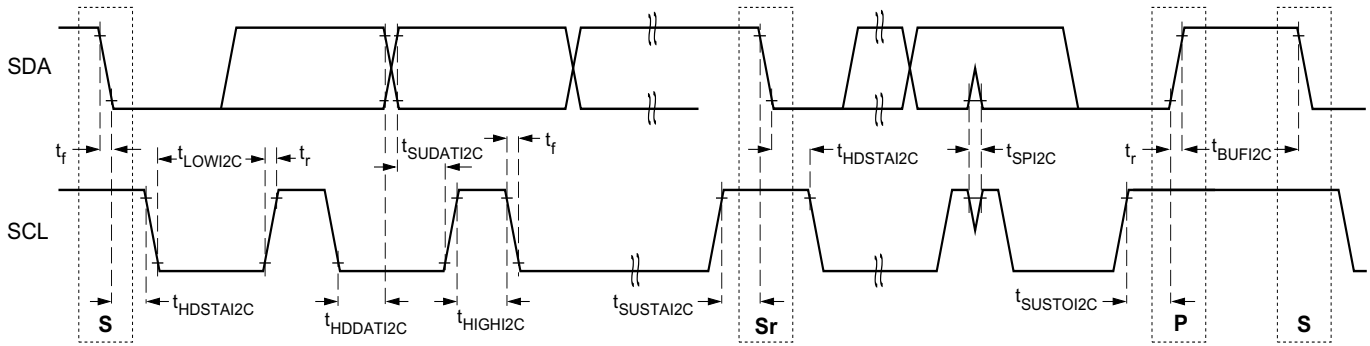
### 2.7V AC General Purpose IO Specifications

Parameter	Description	Min	Max	Unit	Notes
TRise0	Rise time, strong mode, Cload = 50 pF, Port 0	15	100	ns	$V_{DD} = 2.4V$ to 3.0V, 10% - 90%
TRise1	Rise time, strong mode, Cload = 50 pF, Port 1	10	70	ns	$V_{DD} = 2.4V$ to 3.0V, 10% - 90%
TFall	Fall time, strong mode, Cload = 50 pF, all ports	10	70	ns	$V_{DD} = 2.4V$ to 3.0V, 10% - 90%

### AC I<sup>2</sup>C Specifications

Parameter	Description	Standard Mode		Fast Mode		Unit	Notes
		Min	Max	Min	Max		
F <sub>SCL</sub> I2C	SCL clock frequency	0	100	0	400	KHz	Fast mode not supported for $V_{DD} < 3.0V$
T <sub>HD</sub> STAI2C	Hold time (repeated) START condition. After this period, the first clock pulse is generated.	4.0	–	0.6	–	μs	
T <sub>LOW</sub> I2C	LOW period of the SCL clock	4.7	–	1.3	–	μs	
T <sub>HIGH</sub> I2C	HIGH period of the SCL clock	4.0	–	0.6	–	μs	
T <sub>SU</sub> STAI2C	Setup time for a repeated START condition	4.7	–	0.6	–	μs	
T <sub>HD</sub> DAI2C	Data hold time	0	–	0	–	μs	
T <sub>SU</sub> DAI2C	Data setup time	250	–	100	–	ns	
T <sub>SU</sub> STOI2C	Setup time for STOP condition	4.0	–	0.6	–	μs	
T <sub>BU</sub> FI2C	BUS free time between a STOP and START condition	4.7	–	1.3	–	μs	
T <sub>SP</sub> I2C	Pulse width of spikes suppressed by the input filter	–	–	0	50	ns	

Figure 3. Definition for Timing for Fast/Standard Mode on the I<sup>2</sup>C Bus



### Ordering Information

Ordering Code	Package Diagram	Package Type	Operating Temperature
CY8C20160-LDX2I	001-09116	16 COL <sup>[9]</sup>	Industrial
CY8C20160-SX2I	51-85068	16 SOIC	Industrial

### Thermal Impedances by Package

Package	Typical $\theta_{JA}$ <sup>[7]</sup>
16 COL <sup>[9]</sup>	46 °C
16 SOIC	79.96 °C

### Solder Reflow Peak Temperature

Package	Minimum Peak Temperature <sup>[8]</sup>	Maximum Peak Temperature
16 COL <sup>[9]</sup>	240 °C	260 °C
16 SOIC	240 °C	260 °C

**Notes**

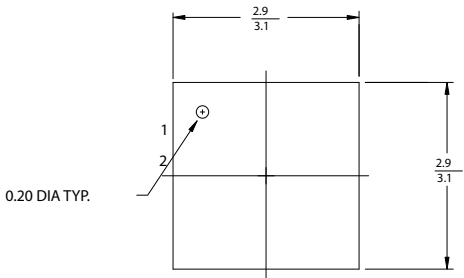
- 7.  $T_J = T_A + \text{Power} \times \theta_{JA}$ .
- 8. Higher temperatures may be required based on the solder melting point. Typical temperatures for solder are 220 ± 5°C with Sn-Pb or 245 ± 5°C with Sn-Ag-Cu paste. Refer to the solder manufacturer specifications.
- 9. Earlier termed as QFN package.

Package Diagram

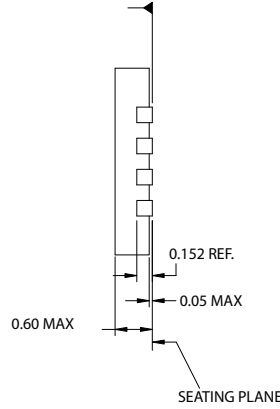
Figure 4. 16L Chip On Lead 3 X 3 mm Package Outline (SAWN) - 001-09116 - (Pb-Free)

DIMENSIONS IN mm MIN.

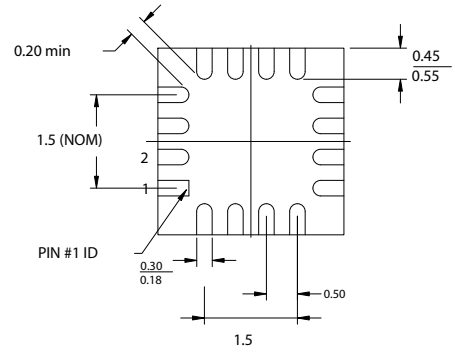
MAX.



TOP VIEW



SIDE VIEW



BOTTOM VIEW

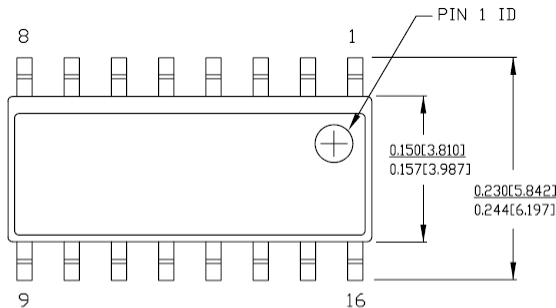
PART NO.	DESCRIPTION
LG16A	LEAD-FREE
LD16A	STANDARD

JEDEC # MO-220

Package Weight: 0.014g

001-09116-°C

Figure 5. 16-Pin (150-Mil) SOIC (51-85068)

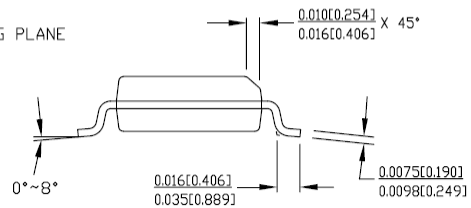
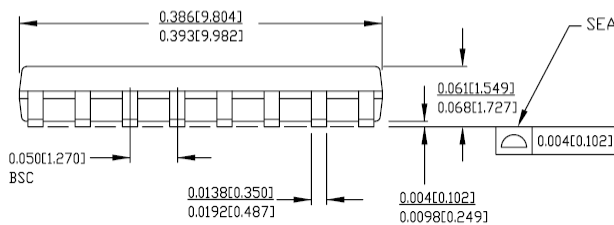


DIMENSIONS IN INCHES[MM] MIN. MAX.

REFERENCE JEDEC MS-012

PACKAGE WEIGHT 0.15gms

PART #	
S16.15	STANDARD PKG.
SZ16.15	LEAD FREE PKG.



51-85068-°B

## Document History Page

Document Title: CY8C20160 CapSense Express™ -6 Configurable IOs Document Number: 001-17347			
REV.	ECN	Orig. of Change	Description of Change
**	1341766	TUP/ SFVTMP	New Data Sheet
*A	1494145	TUP/AESA	Changed to FINAL Datasheet Removed table - 2.7V DC General Purpose IO Specifications - Open Drain with a pull up to 1.8V Updated Logic Block Diagram
*B	1773608	TUP/AESA	Removed table - 3V DC General Purpose IO Specifications Updated Logic Block Diagram Updated table - DC POR and LVD Specifications Updated table - DC Chip Level Specifications Updated table - 5V and 3.3V DC General Purpose IO Specifications Updated table - 2.7V DC General Purpose IO Specifications Updated table - AC GPIO Specifications and split it into two tables for 5V/3.3V and 2.7V Added section on CapSense Express™ Software tool Updated 16-QFN Package Diagram
*C	2091026	DZU/MOHD /AESA	Updated table-DC Chip Level Specifications Updated table-Pin Definitions 16 pin COL Updated table-Pin Definitions 16 pin SOIC Updated table-5V and 3.3V DC General Purpose IO Specifications Updated table - 2.7V DC General Purpose IO Specifications Changed definition for Timing for Fast/Standard Mode on the I2C Bus diagram
*D	2404731	DZU/MOHD/PY RS	Updated Logic Block Diagram Added DC Programming Specifications Table Updated Features Added CapSense Electrical Characteristics Table
*E	2544918	ZSK/AESA	Different sleep modes explained Bi-Directional Sleep Control Pin defined Table added on "2.7V DC Spec for I2C Line with 1.8V External Pull-Up

## Sales, Solutions, and Legal Information

### Worldwide Sales and Design Support

Cypress maintains a worldwide network of offices, solution centers, manufacturer's representatives, and distributors. To find the office closest to you, visit us at [cypress.com/sales](http://cypress.com/sales).

#### Products

PSoC	<a href="http://psoc.cypress.com">psoc.cypress.com</a>
Clocks & Buffers	<a href="http://clocks.cypress.com">clocks.cypress.com</a>
Wireless	<a href="http://wireless.cypress.com">wireless.cypress.com</a>
Memories	<a href="http://memory.cypress.com">memory.cypress.com</a>
Image Sensors	<a href="http://image.cypress.com">image.cypress.com</a>

#### PSoC Solutions

General	<a href="http://psoc.cypress.com/solutions">psoc.cypress.com/solutions</a>
Low Power/Low Voltage	<a href="http://psoc.cypress.com/low-power">psoc.cypress.com/low-power</a>
Precision Analog	<a href="http://psoc.cypress.com/precision-analog">psoc.cypress.com/precision-analog</a>
LCD Drive	<a href="http://psoc.cypress.com/lcd-drive">psoc.cypress.com/lcd-drive</a>
CAN 2.0b	<a href="http://psoc.cypress.com/can">psoc.cypress.com/can</a>
USB	<a href="http://psoc.cypress.com/usb">psoc.cypress.com/usb</a>

© Cypress Semiconductor Corporation, 2007-2008. The information contained herein is subject to change without notice. Cypress Semiconductor Corporation assumes no responsibility for the use of any circuitry other than circuitry embodied in a Cypress product. Nor does it convey or imply any license under patent or other rights. Cypress products are not warranted nor intended to be used for medical, life support, life saving, critical control or safety applications, unless pursuant to an express written agreement with Cypress. Furthermore, Cypress does not authorize its products for use as critical components in life-support systems where a malfunction or failure may reasonably be expected to result in significant injury to the user. The inclusion of Cypress products in life-support systems application implies that the manufacturer assumes all risk of such use and in doing so indemnifies Cypress against all charges.

Any Source Code (software and/or firmware) is owned by Cypress Semiconductor Corporation (Cypress) and is protected by and subject to worldwide patent protection (United States and foreign), United States copyright laws and international treaty provisions. Cypress hereby grants to licensee a personal, non-exclusive, non-transferable license to copy, use, modify, create derivative works of, and compile the Cypress Source Code and derivative works for the sole purpose of creating custom software and or firmware in support of licensee product to be used only in conjunction with a Cypress integrated circuit as specified in the applicable agreement. Any reproduction, modification, translation, compilation, or representation of this Source Code except as specified above is prohibited without the express written permission of Cypress.

Disclaimer: CYPRESS MAKES NO WARRANTY OF ANY KIND, EXPRESS OR IMPLIED, WITH REGARD TO THIS MATERIAL, INCLUDING, BUT NOT LIMITED TO, THE IMPLIED WARRANTIES OF MERCHANTABILITY AND FITNESS FOR A PARTICULAR PURPOSE. Cypress reserves the right to make changes without further notice to the materials described herein. Cypress does not assume any liability arising out of the application or use of any product or circuit described herein. Cypress does not authorize its products for use as critical components in life-support systems where a malfunction or failure may reasonably be expected to result in significant injury to the user. The inclusion of Cypress' product in a life-support systems application implies that the manufacturer assumes all risk of such use and in doing so indemnifies Cypress against all charges.

Use may be limited by and subject to the applicable Cypress software license agreement.